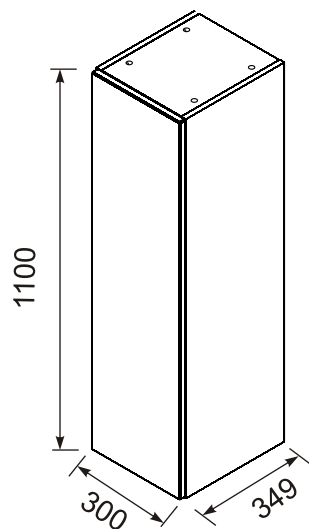


# ORiSTO

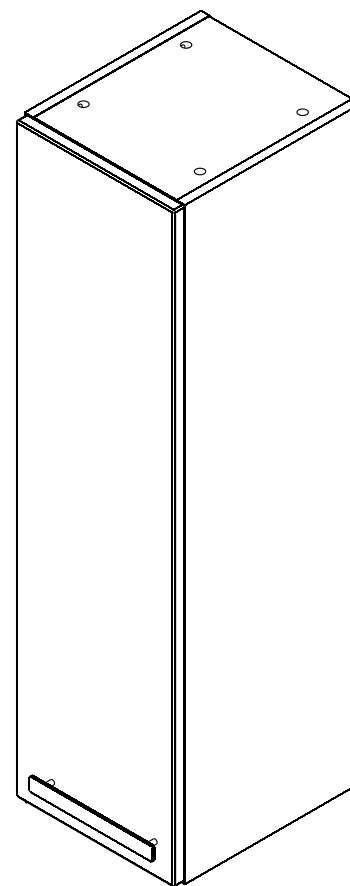
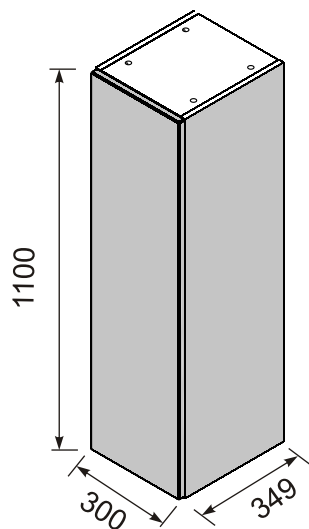
# OPAL OR30-SB1D-30...

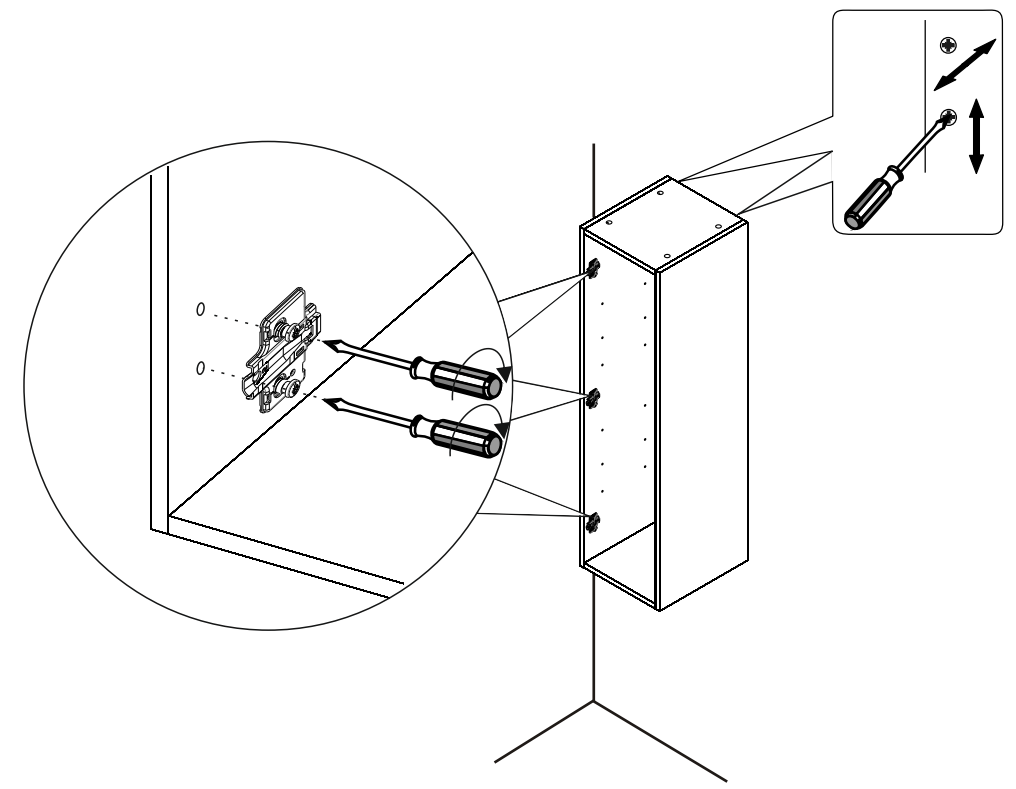
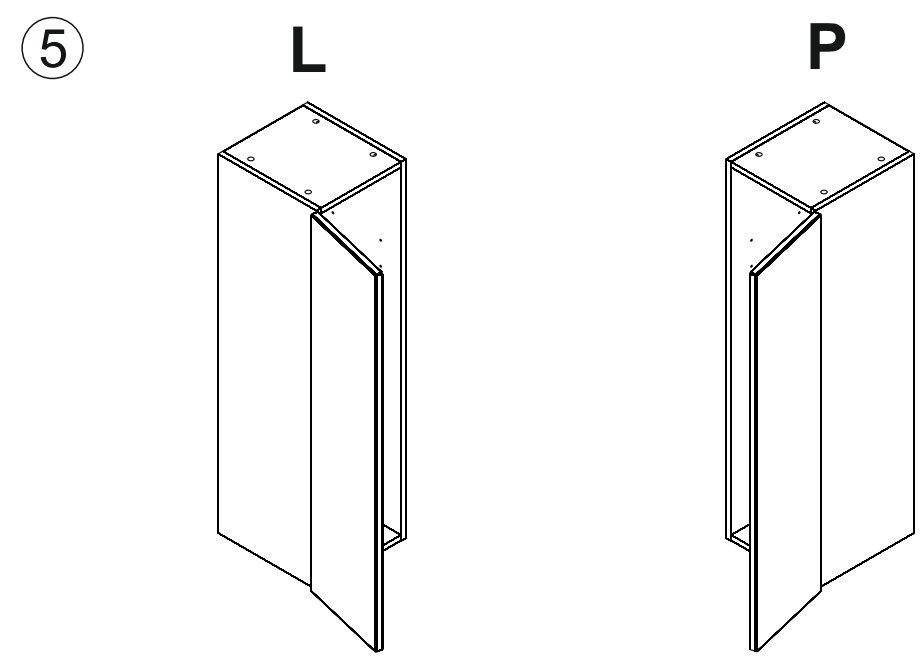
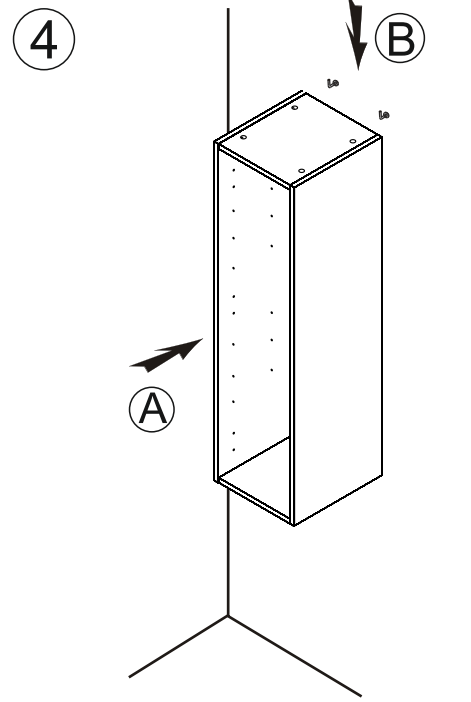
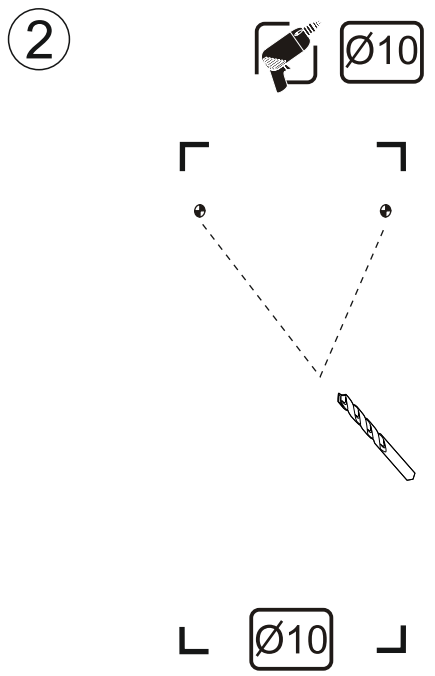
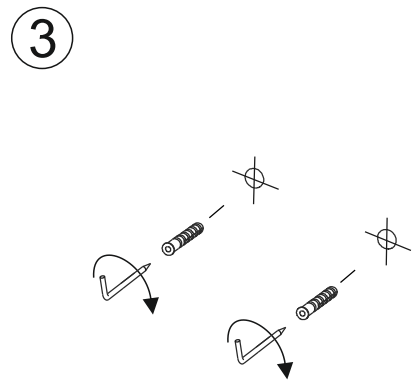
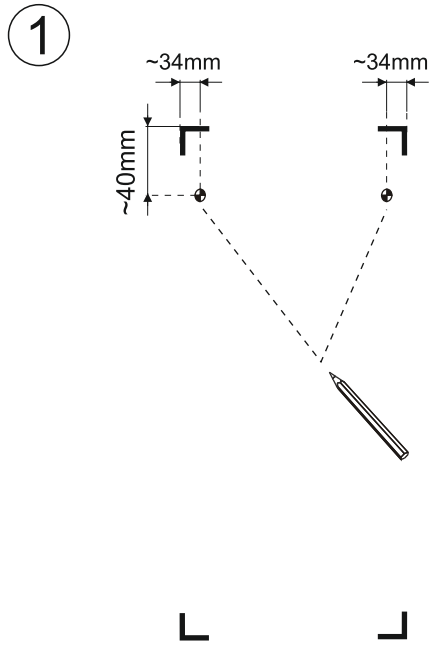
- |                          |                          |
|--------------------------|--------------------------|
| (PL) SZAFKA BOCZNA       | INSTRUKCJA MONTAŻU       |
| (GB) SIDE CABINET        | INSTALLATION INSTRUCTION |
| (FR) CABINET DE CÔTÉ     | INSTRUCTIONS DE MONTAGE  |
| (RU) БОКОВОЙ ШКАФЧИК     | ИНСТРУКЦИЯ МОНТАЖА       |
| (ES) LATERAL DE GABINETE | INSTRUCCIONES DE MONTAJE |
| (TR) YAN KABINE          | INSTRUKSJA MONTAJ        |

OR30-SB1D-30-1

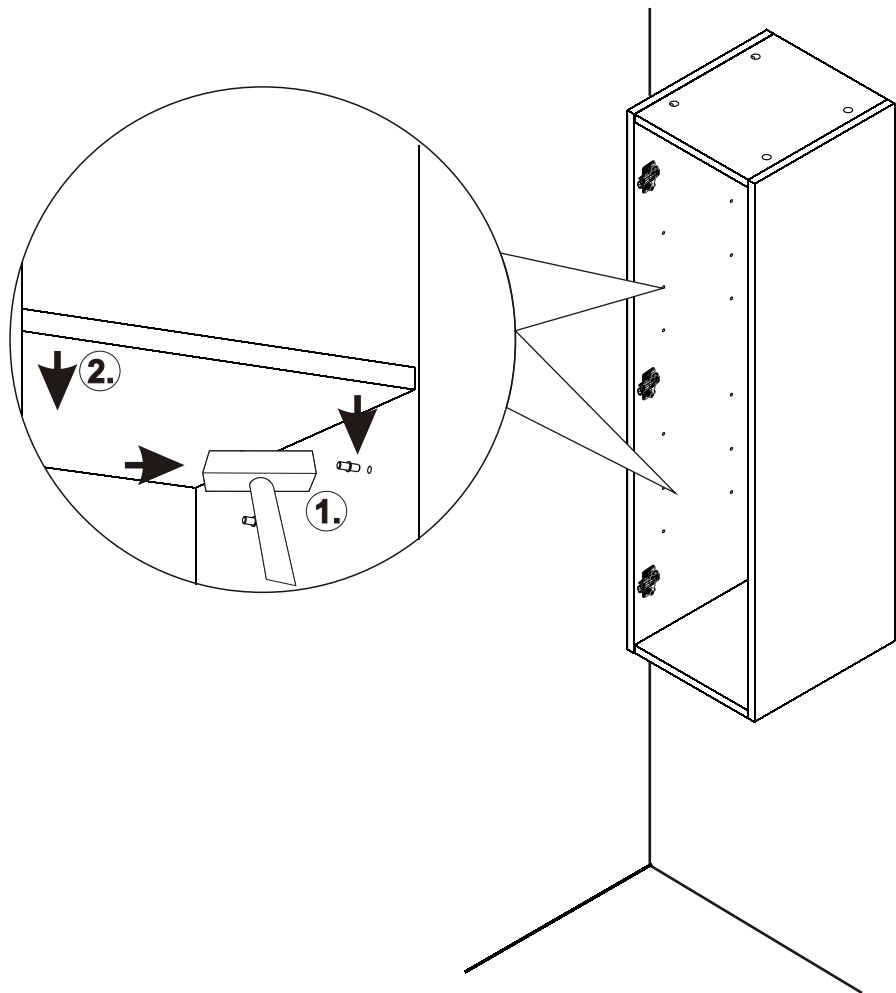


OR30-SB1D-30-3

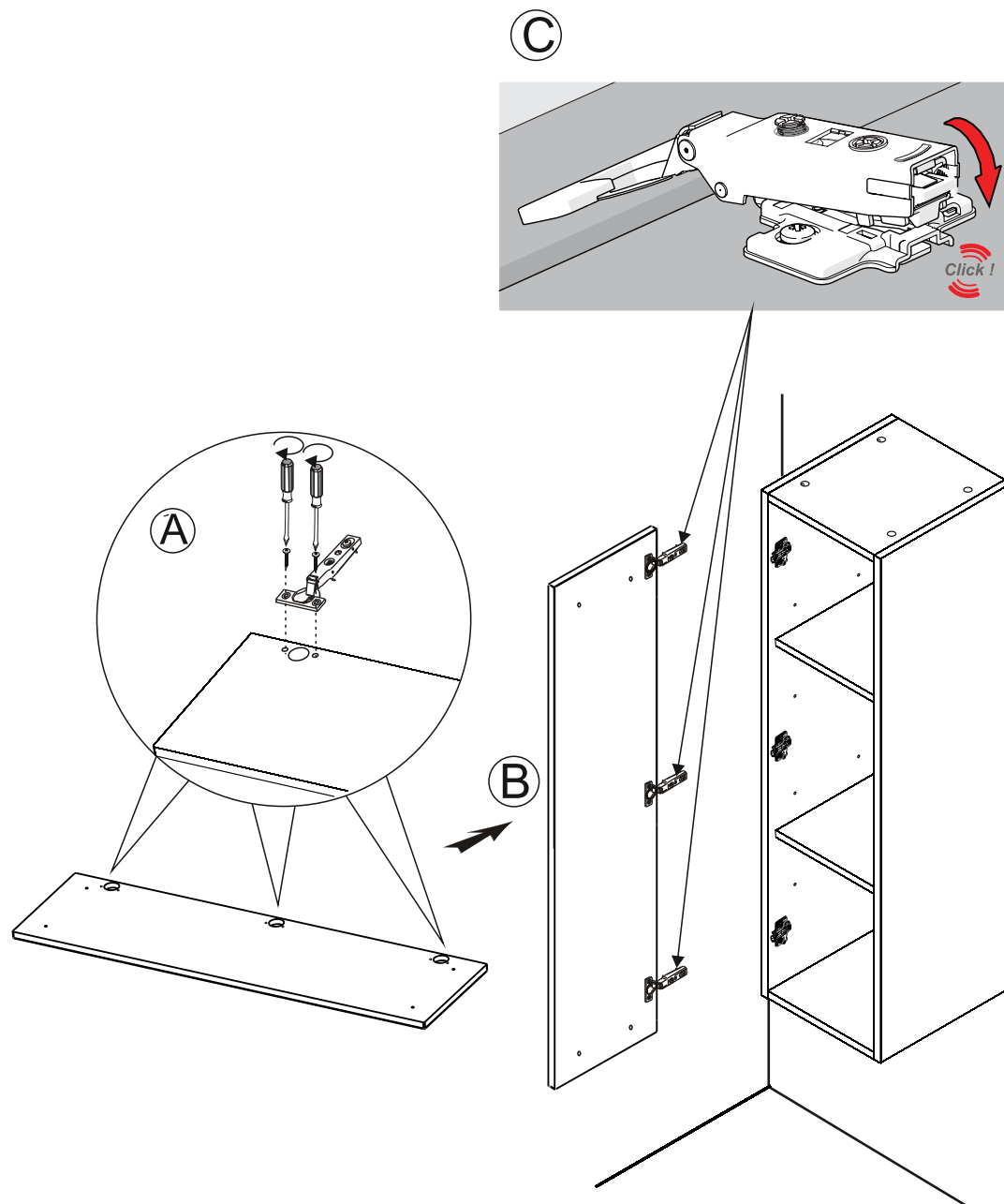




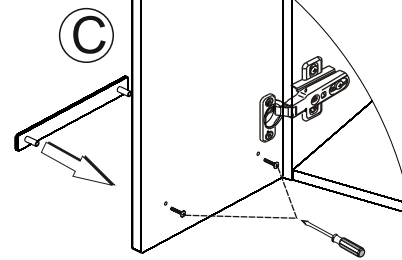
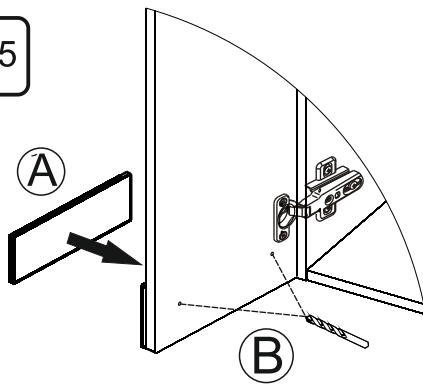
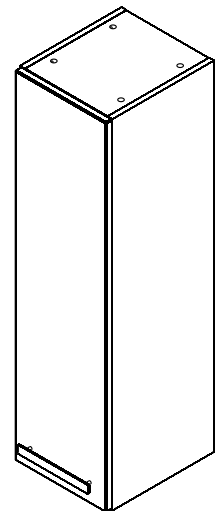
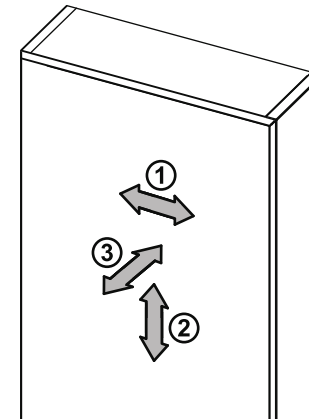
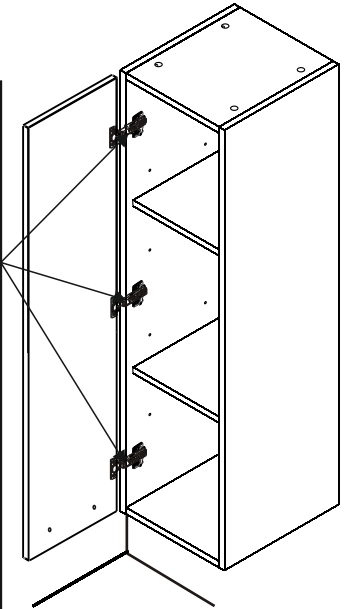
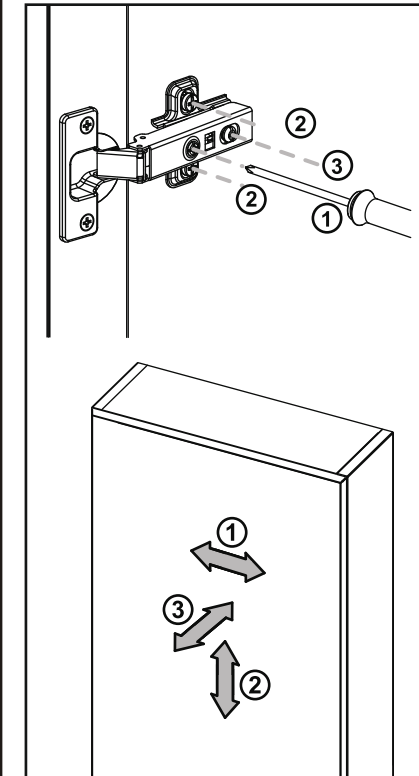
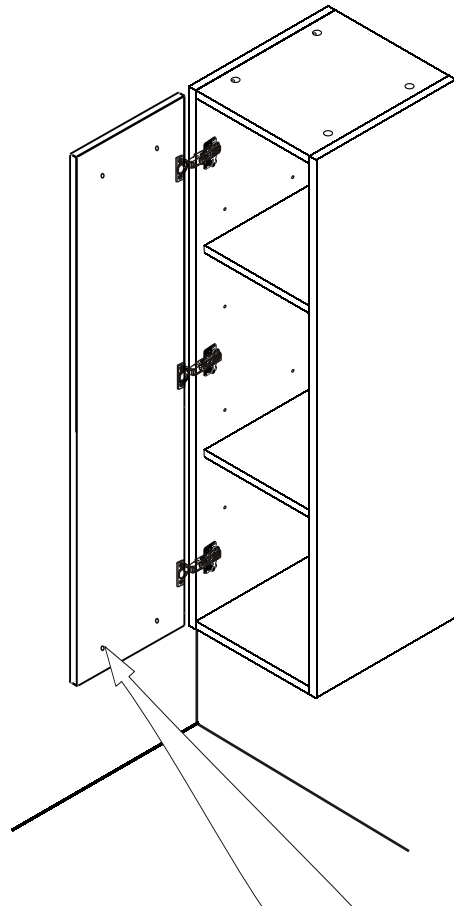
6



7



8



**UWAGA!!! W TRAKCIE WIERCENIA DOCISKAĆ KŁOCEK PO PRZECIWNEJ STRONIE**  
**ATTENTION!!! PLEASE USE A DRILL WITH 5MM DIAMETRE AND PUSH TIGHTLY THE**  
**BLOCK OF WOOD TO THE OPPOSITE SIDE WHILE DRILLING. PLEASE BE CAREFUL TO**  
**NOT HURT THE HAND.**